

Winlet 575

Dual Circuit Window & Glass Installation Robot

Range: Glass Vacuum Equipment / Glazing Robots / Winlet

Our range of glass handling equipment is available to customers across the UK, from our own strategically placed depots enabling us to offer a national coverage.



Winlet 575

The new Winlet 575 model combines superior lifting capacity and reach without compromising its compact design. With a 575kg capacity the unit replaces the need for traditional lifting methods.



Vacuum Robots course



UK and Ireland
Distributor



Intelligent load monitoring protects the operator and the load.



Twin wheels for rough terrain (optional)



Wired remote control allows accurate placement of materials



Transport loads on side up to 275kg

575kg

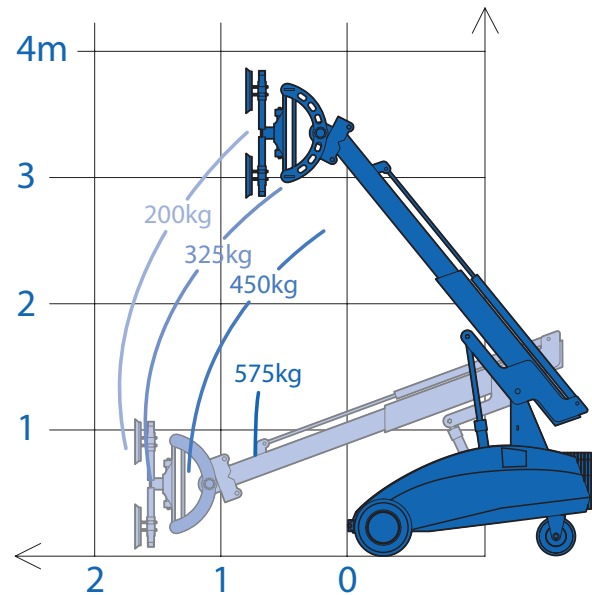
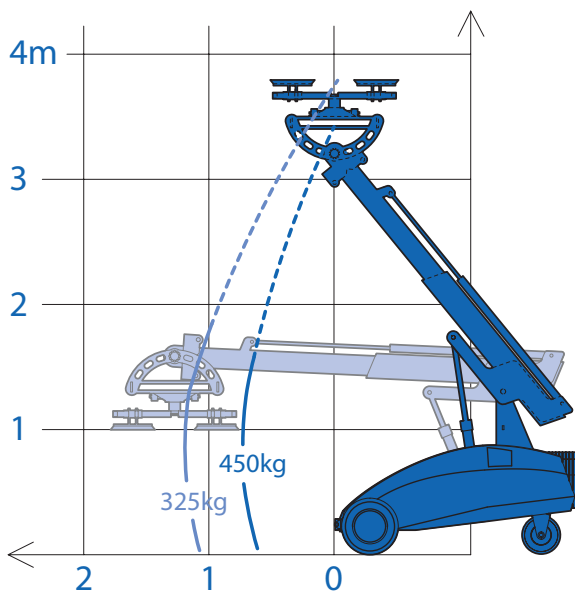
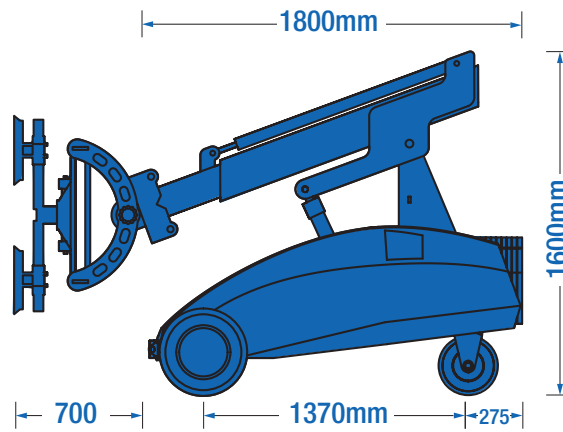
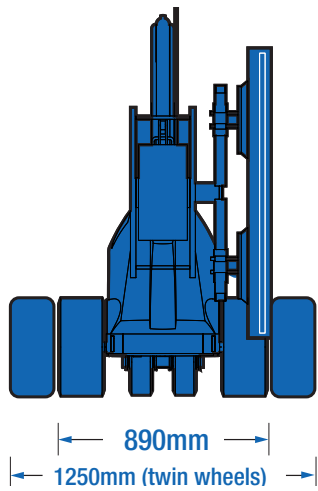
max lifting capacity

Technical Specifications

Winlet 575

Max capacity	575kg
Max capacity on side	275kg
Total weight excl. counterweights	1025kg
Total weight incl. counterweights	1300kg
External width	890mm
External width with twin wheels	1250mm
External length	1880mm
External height	1600mm
Min/max extension (front bumper to suction cup)	700/1800mm
Max lifting height (to centre of lifting yoke)	3600mm
Hydraulic side offset	100mm
Fine lift on arm	200mm
Tilt function	180°
Hydraulic rotation	180°
Suction cups	4 x Ø 350mm
Battery	2 x 150 AH

Winlet 575 Glazing Robot



Product specifications are subject to change without notice or obligation. The photographs and/or drawings in this document are for illustrative purposes only.



Northern 01482 227333 Central 01302 341659 Southern 0203 174 0658

www.hird.co.uk

Northern (Head Office)
English Street
Hull HU3 2BS

Tel: +44 (0)1482 227333
Fax: +44 (0)1482 587710
Email: info@hird.co.uk

Central
Shaw Lane Industrial Estate
Ogden Road, Doncaster DN2 4SQ

Tel: +44 (0)1302 341659
Fax: +44 (0)1302 341675
Email: doncaster@hird.co.uk

Southern
Unit 8, Redhill 23 Business Park Holmethorpe Avenue
Redhill RH1 2NB

Tel: +44 (0)203 174 0658
Fax: +44 (0)1737 773188
Email: london@hird.co.uk