

Winlet 600

Dual Circuit Window & Glass Installation Robot

Range: Glass Vacuum Equipment / Glazing Robots / Winlet

Our range of glass handling equipment is available to customers across the UK, from our own strategically placed depots enabling us to offer a national coverage.



Winlet 600

The new Winlet 600 model combines superior lifting capacity and reach without compromising its compact design. Operators will be able to work more efficiently, resulting in fewer injuries and fast installation.



Vacuum Robots course



Intelligent load monitoring protects the operator and the load.



Wired remote control allows accurate placement of materials, such as:

- Granite
- Concrete
- Wood
- Plasterboard
- Steel
- Tiles
- Fire Doors



Lift a wide range of materials by changing the suction cups



UK and Ireland
Distributor

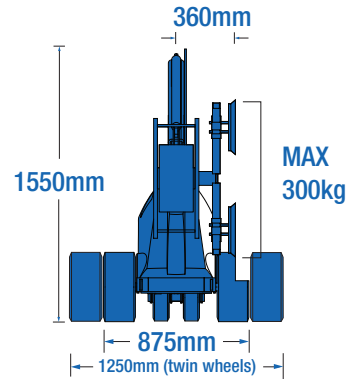
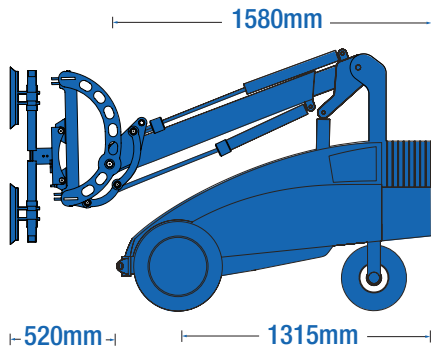
600kg
max lifting capacity

Technical Specifications

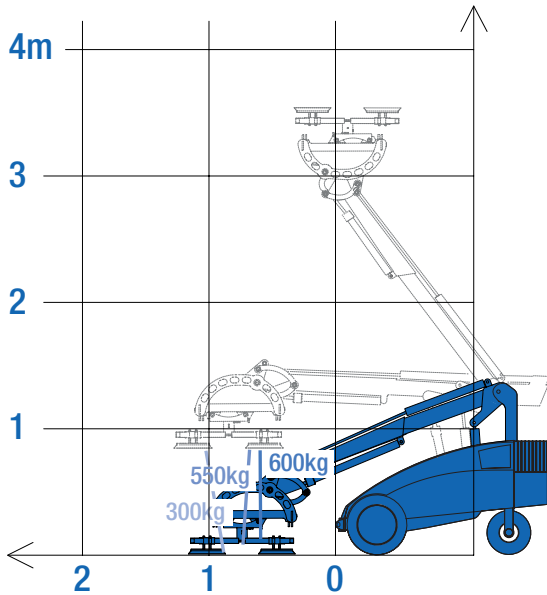
Winlet 600

Max capacity	600kg
Max capacity on side	300kg
Total weight excl. counterweights	865kg
Total weight incl. counterweights	1060kg
External width	875mm
External width with twin wheels	1250mm
External length	1580mm
External height	1550mm
Min/max extension (front bumper to suction cup)	600/1300mm
Max lifting height (to centre of lifting yoke)	3300mm
Hydraulic side offset	90mm
Fine lift on arm	190mm
Tilt function	160°
Continuous rotation	360°
Suction cups	4 x Ø 385mm
Battery	2 x 95 AH

Winlet 600 Glazing Robot

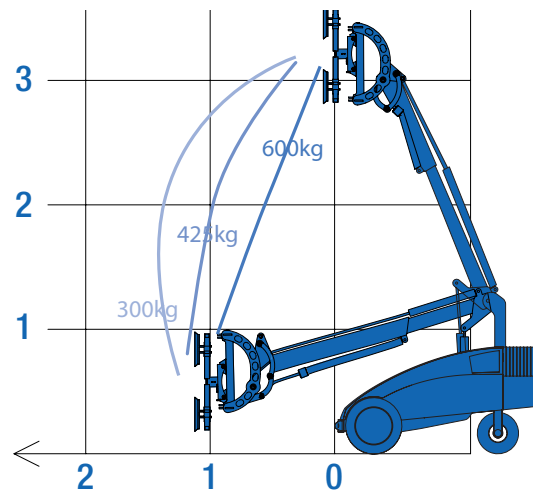


Pick up and place



2017 model

Reach



Product specifications are subject to change without notice or obligation. The photographs and/or drawings in this document are for illustrative purposes only.



Northern 01482 227333 Central 01302 341659 Southern 0203 174 0658

www.hird.co.uk

Northern (Head Office)
English Street
Hull HU3 2BS

Tel: +44 (0)1482 227333
Fax: +44 (0)1482 587710
Email: info@hird.co.uk

Central
Shaw Lane Industrial Estate
Ogden Road, Doncaster DN2 4SQ

Tel: +44 (0)1302 341659
Fax: +44 (0)1302 341675
Email: doncaster@hird.co.uk

Southern
Unit 8, Redhill 23 Business Park Holmethorpe Avenue
Redhill RH1 2NB

Tel: +44 (0)203 174 0658
Fax: +44 (0)1737 773188
Email: london@hird.co.uk