

## Winlet ErgoMover

Transport Trolley

Range: Materials Handling / Trolley

Our range of glass handling equipment is available to customers across the UK, from our own strategically placed depots enabling us to offer a national coverage.



Optional rotating table aids material handling



ErgoMover can carry loads up to 1500kg



Large load area provides versatile platform for different materials



A powerful all-terrain trolley equipped with electric motor and hydraulic lifting and lowering function.

- The trolley has a capacity of 1500kg and has a width of only 690mm.
- Equipped with hydraulic lifting and lowering table **ErgoMover** has a lift height of 600mm to 750mm.
- Optional rotating table to rotate loads easily.



UK and Ireland  
Distributor



Manual Handling Awareness

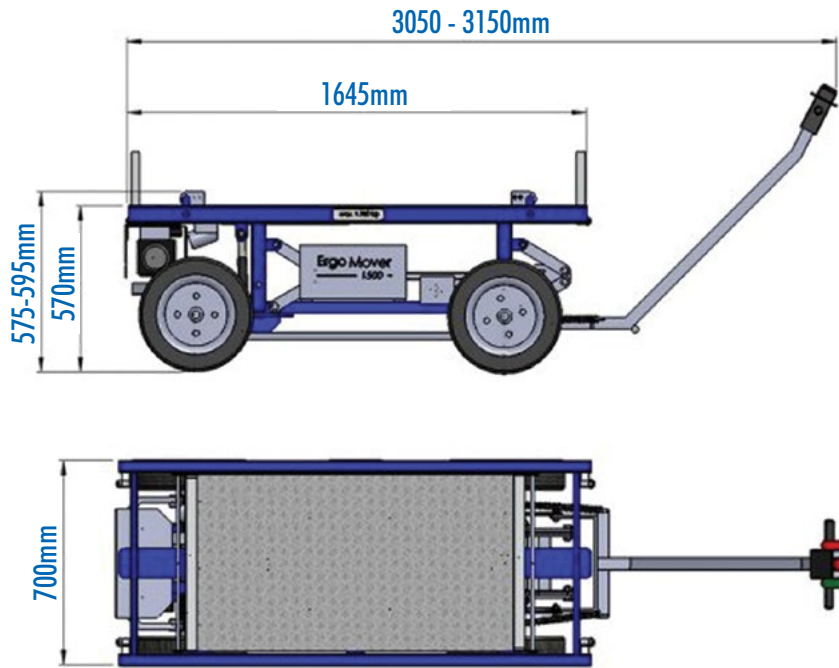
### 1500kg

#### Technical Specifications

Lifting capacity		1500 kg
Max. driving speed		6 km/h
Speed control		Stepless
Wheels	(Option)	Foam filled tires
Voltage		24 volt
Charger		Integrated 230 volt (110 volt)
Lifting function		Electro-hydraulic
External length	(without handle) (L)	1645 mm
Internal length	(with handle) (L1)	3050 - 3150 mm
External width		700 mm
Height	(H)	570 mm
Height	(H1)	575 - 595 mm
Weight		250 kg

Product specifications are subject to change without notice or obligation. The photographs and/or drawings in this document are for illustrative purposes only.

# Winlet ErgoMover



## ErgoMover - Basic

A powerful transport trolley without hydraulic functions for applications that only require transport of materials. Equipped with all-terrain electric motor and 4-wheelsteering, ideal for construction sites.



## ErgoMover - Standard

All the benefits of the basic ErgoMover 1500 with the addition of a hydraulic lifting system, making it possible to set of loads off. e.g. *dry wall elements onto trestles.*



## ErgoMover - Manipulator

Hydraulic lift and tilt function option makes light work of building materials such as, large cladding / drywall panels, tiles, blocks, bricks and wood. One person can take loads across site to installation without heavy lifting – improved manual handling and greater productivity.



Product specifications are subject to change without notice or obligation. The photographs and/or drawings in this document are for illustrative purposes only.



Northern 01482 227333 Central 01302 341659 Southern 0203 174 0658

[www.hird.co.uk](http://www.hird.co.uk)

### Northern (Head Office)

English Street  
Hull HU3 2BS

Tel: +44 (0)1482 227333

Fax: +44 (0)1482 587710

Email: [info@hird.co.uk](mailto:info@hird.co.uk)

### Central

Shaw Lane Industrial Estate  
Ogden Road, Doncaster DN2 4SQ

Tel: +44 (0)1302 341659

Fax: +44 (0)1302 341675

Email: [doncaster@hird.co.uk](mailto:doncaster@hird.co.uk)

### Southern

Unit 8, Redhill 23 Business Park  
Holmethorpe Avenue, Redhill RH1 2NB

Tel: +44 (0)203 174 0658

Fax: +44 (0)1737 773188

Email: [london@hird.co.uk](mailto:london@hird.co.uk)