



WINLET 575

Boost productivity and safety, the smart lifting option.

The **Winlet 575**, like other Winlets, can be used to lift a range of materials. With a 575kg capacity, the unit replaces the need for traditional lifting methods.



575kg max lifting capacity



Vacuum Robots course



Technical Specifications	
Max Lifting Capacity	575kg
Lift Height	3600mm
Max Extension from front bumper to suction cup	1800mm
Extension Capacity - at max extension	275kg
Side Lift Capacity	275kg
Tilt Function	180°
Rotation	180°
Linear	75mm
Fine Lift on Jib Head	190mm
Suction cups (Glass)	4@ 350mm
Total Machine Weight	1300kg
Light Weight - excluding counterweights	1025kg
Battery	2x 150 AH
Remote Control	Wired

Accessories

- Wireless Radio Remote
- Support Legs
- Extra Wide Steering Wheel
- Twin Wheels
- Quick Connector Set for Suction Cups
- Drive Alarm
- LED Flashing Beacon
- Protective Cup Covers
- Remote Control Cover
- Drive Handle Cover
- All Weather Protection Kit
- Stone Suction Cups



Easy to operate stabilisers



Wired remote control allows accurate placement of materials



Lift a wide range of materials by changing the suction cups

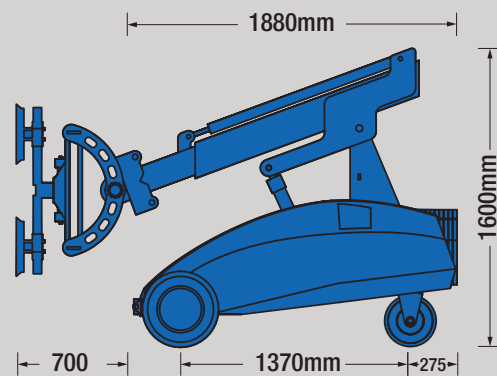
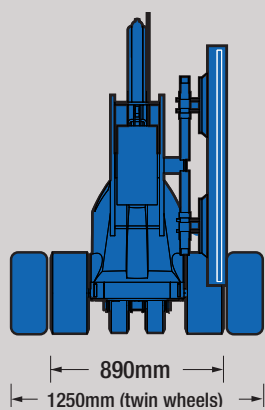


Twin wheels for rough terrain (optional)

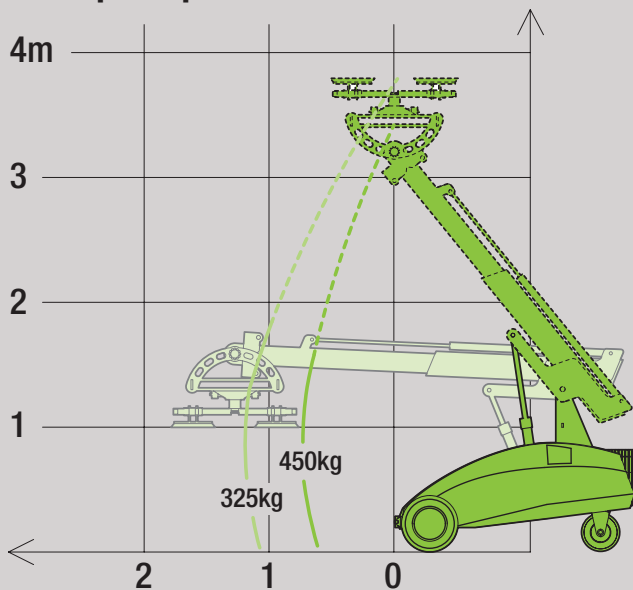


Intelligent load monitoring on all Winlet robots protects the lifting team and the load

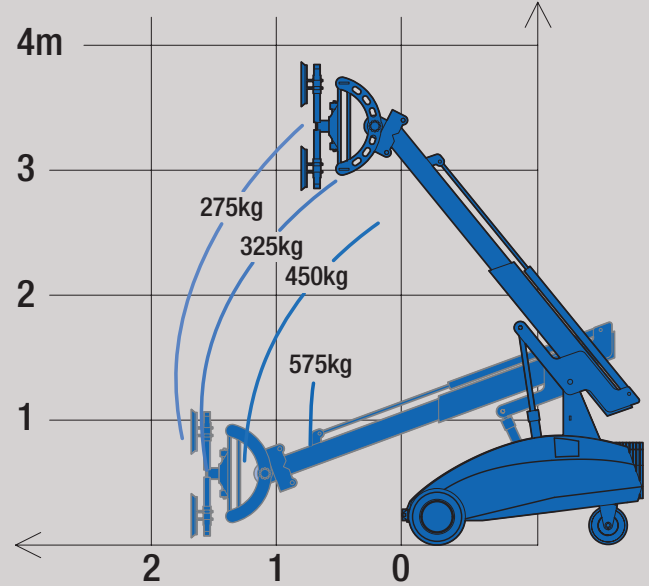
Dimensions



Pick up and place



Reach



ACCESSORIES		Winlet 350	Winlet 350TH	Winlet 400 TL	Winlet 575	Winlet 600	Winlet 785	Winlet 1000	Winlet 1000 TRX
	Wireless Radio Remote	✓	✓	✓	✓	✓	✓	✓	
	Support Legs	✓		✓	✓	✓	✓	✓	
	Extra Wide Steering Wheel	✓			✓				
	Twin Wheels	✓		✓	✓	✓	✓	✓	
	Quick Connector Set for Suction Cups	✓	✓		✓	✓	✓	✓	✓
	Quick Connector Set for Main Supply	✓	✓						
	Individual Shut Off Valves for Cups	✓	✓						
	Drive Alarm	✓		✓	✓	✓	✓	✓	
	LED Flashing Beacon	✓	✓	✓	✓	✓	✓	✓	✓
	Protective Cup Covers	✓	✓	✓	✓	✓	✓	✓	✓
	Remote Control Cover	✓	✓		✓	✓	✓	✓	✓
	Drive Handle Cover	✓		✓	✓	✓	✓	✓	
	All Weather Protection Kit	✓	✓		✓	✓	✓	✓	
	Stone Suction Cups	✓	✓	✓	✓	✓	✓	✓	✓