


**Ergo
Mover**

UK and Ireland distributor

TRANSPORT TROLLEY FOR IMPROVED MANUAL HANDLING ON SITE



www.ergomover.co.uk



The ErgoMover range transports building materials, such as glass, stone, timber and plasterboard across work sites.

Its compact design allows material to be taken to work areas that other machines, such as forklifts, cannot reach.



The ErgoMover Range gives you

- Great lifting capacity of up to 1500kg
- Battery power for quiet, emission-free operation all day long
- 4-wheel steering for easy manoeuvring in confined spaces
- Powerful drive motors to cross sites quickly and easily
- Safety interlocked on drive, and an emergency stop function
- Reduces manual handling

ErgoMover Go

The original powerful platform for moving materials

ErgoMover Lift & Go

Lift and rotate functions improve manual handling

ErgoMover Manipulator

Lift and tilt functions allow materials to be lifted into an upright position



Traditional material trolleys are labour intensive making them expensive and increasing the risk of manual handling injuries.



ErgoMover enables a single operator to lift and move heavy loads up to 1500kg – a safer and more productive lifting solution.

info@ergomover.co.uk



ERGOMOVER GO

The ErgoMover Go is a powerful transport trolley without the hydraulic tilting function for applications that require the transport of materials alone.

As with other models, it is equipped with an all-terrain electric motor and 4-wheel steering for excellent performance on construction sites.



1500kg max lifting capacity



360° Rotating Platform
Option available

Technical Specifications	
Lifting capacity	1500kg
Length without handle	1680mm
Transport loads up-to (in length)	3000mm
Minimum load bed width	698mm
Max load bed width	790mm
Height	565mm
Weight	311kg
Voltage	24v
Max. driving speed	0-6 km/h
On board battery charger	110v
Tyres	Foam filled puncture proof

Entire Working Day

The ErgoMover Go easily handles loads of up to 1500kg the integrated charger ensures the truck can be operated for the entire working day.



Available with the Wireless Remote Control



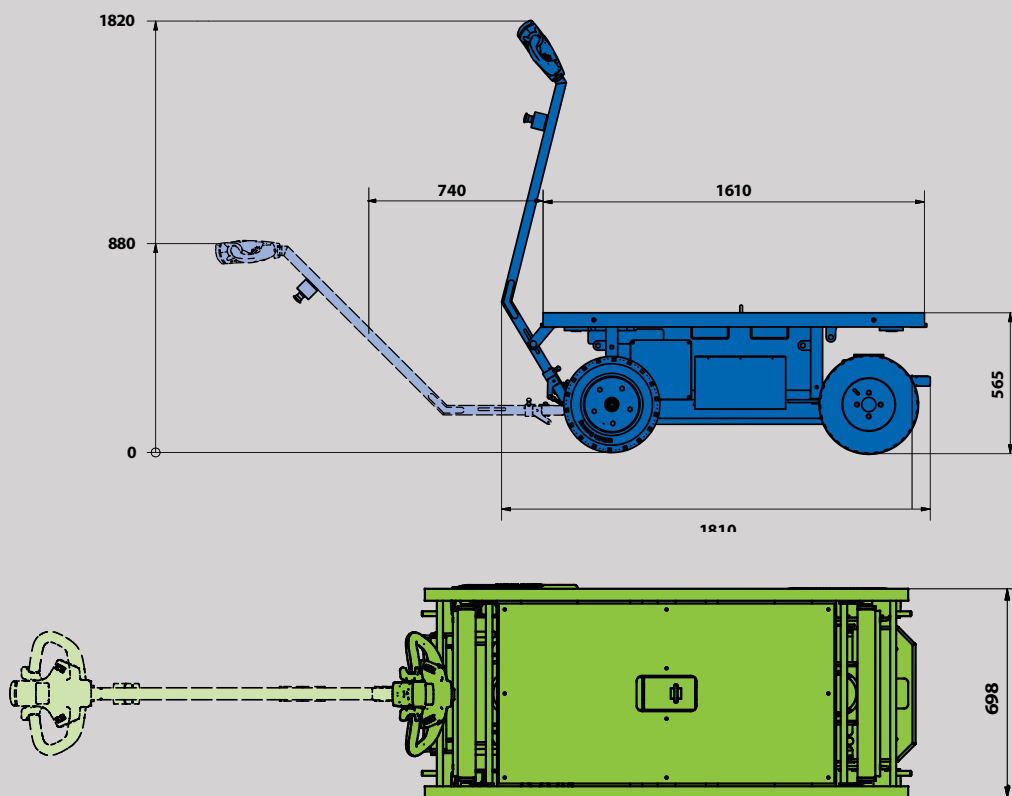
Options

- ErgoMover Go - with 360° rotatable platform for continuous rotation of the load.
- ErgoMover Go Cargo - with large platform and lashing points ideal for e.g. transport of glass rack.
- ErgoMover Go XL - for 2x1m ground plates.
- ErgoMover Go XL - low model with 2x1m platform.



The ErgoMover can carry loads of 1500kg at up to 6km/h, making them ideal for transporting heavy loads across site

Dimensions






ERGOMOVER LIFT & GO



The ErgoMover **Lift & Go** is a battery powered electric transport trolley with a hydraulically lifted flatbed.

The was developed to replace manual plasterboard carriers, eliminating the manual lifting and transporting of building materials.

1500kg max lifting capacity

 **360° Rotating Platform**
Option available

Technical Specifications	
Lifting capacity	1500kg
Length without handle	1618mm
Transport loads up-to (in length)	3000mm
Minimum load bed width	698mm
Max load bed width	790mm
Height	565mm
Weight	311kg
Voltage	24v
Max. driving speed	0-6 km/h
On board battery charger	110v
Tyres	Foam filled puncture proof

LARGE CAPACITY

The trolley has a powerful electric motor and 4-wheel steering is suitable for being operated off-road and on construction sites.

The ErgoMover Lift & Go can to lift the flat bed by 150mm which makes it ideal, for example, for placing plasterboards on trestles. It can transport and lift an impressive 1500kg.

Available with the **Wireless Remote Control**



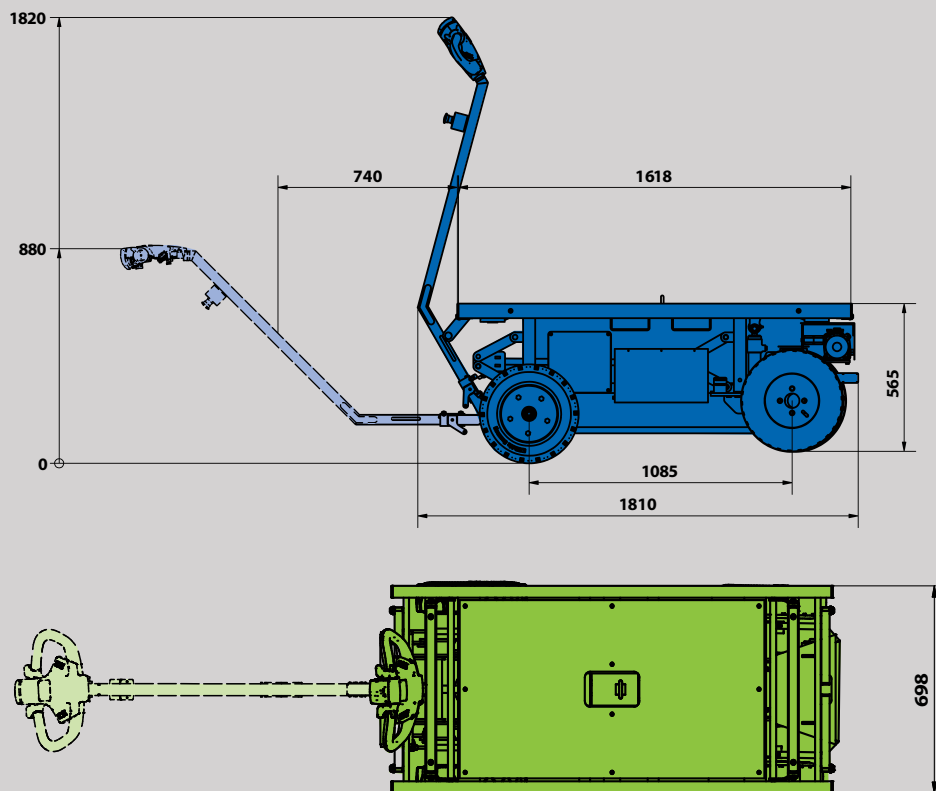
Options

- ErgoMover Lift & Go - with rotatable platform. The ErgoMover Lift & Go is available with 360° rotatable platform for continuous rotation of the load.
- ErgoMover Lift & Go Flex - Optional pull out extension bars allow you to support longer loads. Extension bars gives lengths of 1777mm, 2270mm or 2470mm



The ErgoMover Lift and Go can lift the platform 150mm, ideal for placing plasterboards on to trestles

Dimensions





ERGOMOVER MANIPULATOR

The ErgoMover **Manipulator** is a unique self-propelled trolley that provides users with **TWO** functions for controlling construction materials.

For example, it can set down stacks of plasterboard on trestles and it can raise a stack of plasterboard to the vertical position.



1200kg max lifting capacity

Technical Specifications	
Lifting capacity (whilst driving)	1200kg
Lifting capacity (whilst tilting)	1100kg
Length without handle	1670mm
Transport loads up-to (in length)	3000mm
Minimum load bed width	698mm
Max load bed width	790mm
Height	565mm
Weight	425kg
Voltage	24v
Max. driving speed	0-6 km/h
On board battery charger	110v
Tyres	Foam filled puncture proof

Lift and tilt functions control material in the best way for construction process



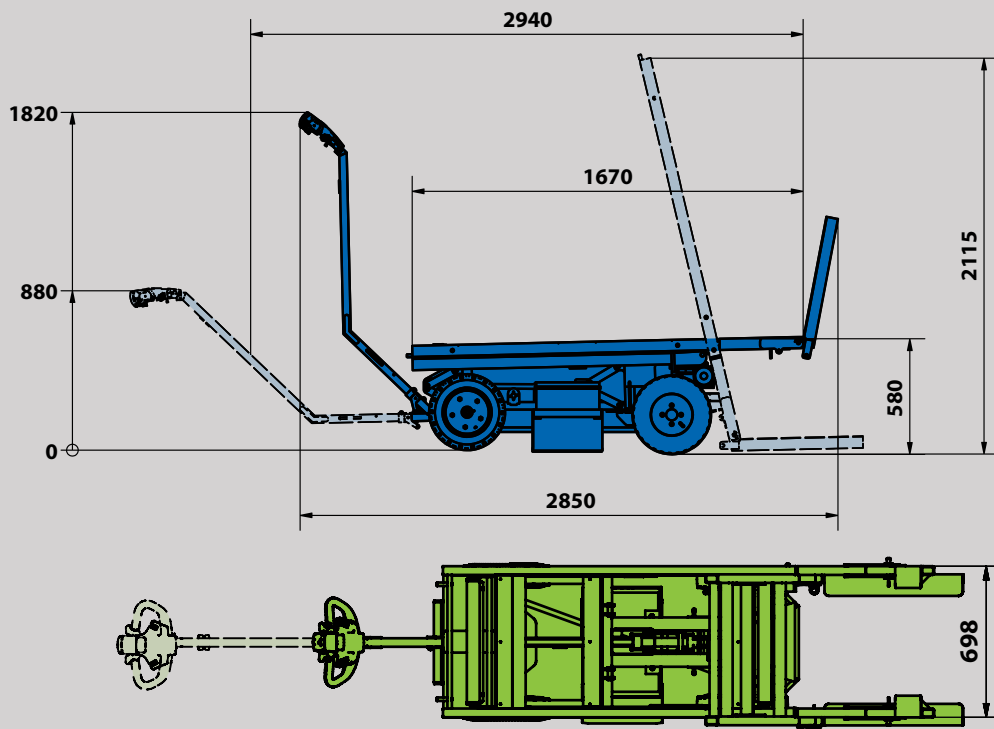
Options

- Long forks for a full pallet of plasterboards (42 sheets)
- Short forks for half pallets (21 sheets)



The ErgoMover can raise a full stack of plasterboards from horizontal to vertical with ease

Dimensions





ERGOMOVER WIRELESS

The ErgoMover **Wireless** does not have a draw bar and control handle that can limit the length of the load being carried.

Instead, steering and flatbed lifting is operated with a wireless remote control. All ErgoMover trolleys have a minimum width of just 700mm.



1500kg max lifting capacity

Wireless Remote Control



Technical Specifications	
Lifting capacity	1500kg
Length	1618mm
Transport of loads up to	Any length
Minimum load bed width	698mm
Max load bed width	790mm
Height	565mm
Weight	311kg
Voltage	24v
Max. driving speed	0-6 km/h
On board battery charger	110v
Tyres	Foam filled puncture proof

LARGE CAPACITY

The ErgoMover Wireless does not have the drawbar and control handle that normally limits the length of the load. Now all steering and elevation is controlled from the remote control.

With the ErgoMover Wireless transport trolley with remote control you can more easily transport long items like pipes and beams weighting up to 1500kg.

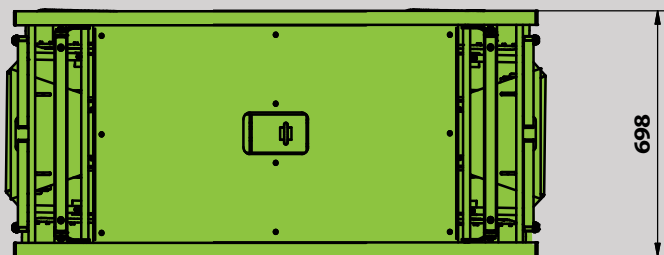
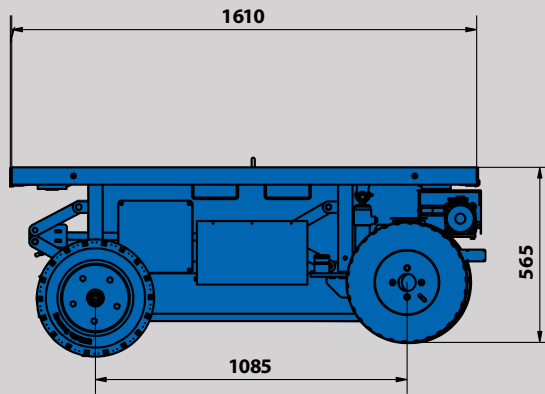
OPTIONAL 360° PLATFORM ROTATION (manual)



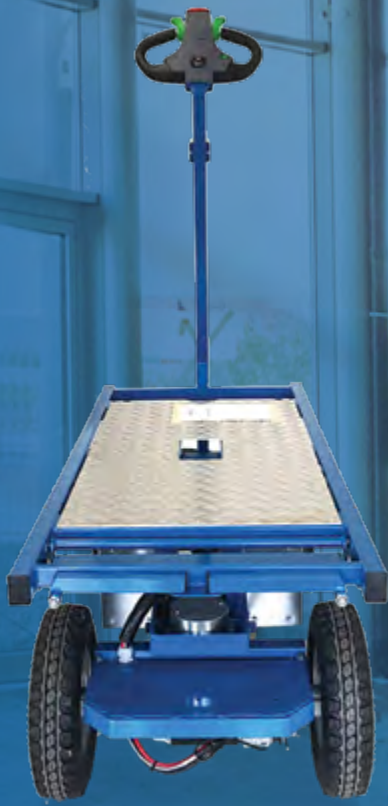


Transport long items (pipes and beams) with the wireless remote control, whilst only needing 700mm width to operate

Dimensions



**Ergo
Mover**



HIRD

ErgoMover Transport Trolley info@ergomover.co.uk

Northern (Head Office)

English Street,
Hull HU3 2BS

Tel: +44 (0)1482 227333

Email: northern@hird.co.uk

Central

Shaw Lane Industrial Estate
Ogden Road, Doncaster
DN2 4SQ

Tel: +44 (0)1302 341659

Email: central@hird.co.uk

Western

Unit 10, Hayes Trading Estate
Hingley Road, Halesowen
West Midlands B63 2RR

Tel: +44 (0)1384 900388

Email: western@hird.co.uk

Southern

Unit 8, Redhill 23 Business Park
Holmethorpe Avenue,
Redhill RH1 2NB

Tel: +44 (0)203 174 0658

Email: southern@hird.co.uk

Info@ergomover.co.uk